

# THAWING 670 LT R290

Code	Model	Ref.	Page	Brand	Rel	Notes
<b>190GUD</b>	<b>TC671HDC</b>	<b>t</b>	<b>2,3,4</b>	<b>EPR</b>	<b>00</b>	<b>1-DOOR THAWING CABINET 670L STANDARD 10</b>
725143	TC671DHD	a	2,3,4	EPR	00	1-DOOR THAWING CABINET 670L CONFIG. GERMANY 10 GRIDS R290
725144	TC671DHUK	b	2,3,4	EPR	00	1-DOOR THAWING CABINET 670L CONFIG. UK 15 GRIDS R290
725145	TC671DHFR	c	2,3,4	EPR	00	1-DOOR THAWING CABINET 670L CONFIG. FRANCE 10 GRIDS R290
725146	TC671DHAC	d	2,3,4	EPR	00	1-DOOR THAWING CABINET 670L CONFIG. SPAIN 15 GRIDS R290
725147	TC671DHIT	e	2,3,4	EPR	00	1-DOOR THAWING CABINET 670L CONFIG. ITALY 10 GRIDS R290
725148	TC671DHRH	f	2,3,4	EPR	00	1-DOOR THAWING CABINET 670L CONFIG. ITALY 15 GRIDS R290
725149	TC671HDC	g	2,3,4	EPR	00	1-DOOR THAWING CABINET 670L STANDARD 10 GRIDS R290
725150	TC671DHUK	h	2,3,4	EPR	00	1-DOOR THAWING CABINET 670L CONFIG. UK 10 GRIDS R290
725191	TC671DH60	n	2,3,4	EPR	00	1-DOOR THAWING CABINET 670L, 10 POSITIONS - 220/60HZ R290
725192	TC671DH5M	o	2,3,4	EPR	00	1-DOOR THAWING CABINET 670L, 10 POSITIONS - MARINE 50HZ R290
725193	TC671DH6M	p	2,3,4	EPR	00	1-DOOR THAWING CABINET 670L, 10 POSITIONS - MARINE 220/60HZ R290
<b>725194</b>	<b>TC671DHJ2</b>	<b>s</b>	<b>2,3,4</b>	<b>EPR</b>	<b>00</b>	<b>1-DOOR THAWING CABINET 670L, 10 POSITIONS, ON FEET, R290, KFC JAPAN</b>
725198	TC671DNL	g	2,3,4	EPR	00	1-DOOR THAWING CABINET 670L CONFIG. BENELUX 10 GRIDS R290
725206	TC671DZXU2	k	2,3,5	EPR	00	1-DOOR THAWING CABINET 670L, 15 POSITIONS, 120V/60Hz R290 - US
725207	TC671DUCB2	m	2,3,5	EPR	00	1-DOOR THAWING CABINET 670L, 10 POSITIONS, 120V/60Hz R290 - US
<b>725448</b>	<b>TC671DZXU2</b>	<b>q</b>	<b>2,3,5</b>	<b>EPR</b>	<b>00</b>	<b>1-DOOR THAWING CABINET 670L, 15 POSITIONS, 120V/60Hz R290 - US</b>
<b>725449</b>	<b>TC671DUCB2</b>	<b>r</b>	<b>2,3,5</b>	<b>EPR</b>	<b>00</b>	<b>1-DOOR THAWING CABINET 670L, 10 POSITIONS, 120V/60Hz R290 - US</b>
<b>725598</b>	<b>TC671DH60T</b>	<b>j</b>	<b>2,3,4</b>	<b>EPR</b>	<b>00</b>	<b>1-DOOR THAWING CABINET 670L, SAME AS SZ864K, 220/60HZ R290</b>
<b>725599</b>	<b>TC671DHUKL</b>	<b>b</b>	<b>2,3,4</b>	<b>EPR</b>	<b>00</b>	<b>1-DOOR THAWING CABINET 670L, LEFT-HINGED DOOR, CONFIG. UK 15 GRIDS-R290</b>
881002	K4SW2B				04	4 SWIVELLING WHEELS (2 W/ BRAKE)D=125MM
881016	GRIGLSS21				01	2/1 GN AISI 304 S/S GRID
881203	CTRTHW				00	COLLECTING TRAY A304 FOR THAWING CABINET
881206	DPANTW				00	COLLECTING TRAY A304 FOR THAWING CABINET
881240	K4FTHP				00	KIT 4 FEET H100 MM FOR THAWING CABINET
881286	SUPTH15US	2			00	SHELF SUPPORT FOR THAWING CABINET USA 15 POS (3" PITCH)
881287	SUPTH10US	2			00	SHELF SUPPORT FOR THAWING CABINET USA 10 POS (4.5" PITCH)
881290	SUPTH15EU	2			00	SHELF SUPPORT FOR THAWING CABINET USA 15 POS (3" PITCH)
881291	SUPTW10EU	2			00	SHELF SUPPORT FOR THAWING CABINET USA 10 POS (4.5" PITCH)
P72132	TC671DC	j	2,3,4	EPR	01	1-DOOR THAWING CABINET 670L-OLD WILD WEST
P72165	TC671DUCB2	m	2,3,5	EPR	01	1-DOOR THAWING CABINET 670L, 10 POSITIONS, 120V/60Hz R290 - US
P72166	TC671DZXU2	k	2,3,5	EPR	01	1-DOOR THAWING CABINET 670L, 15 POSITIONS, 120V/60Hz R290 - US

**Pag.**

2	Armadio porta intera
3	Gruppo refrigerante
4	Cruscotto
5	Cruscotto USA
6-9	Lista ricambi

**Index**

Cabinet with full doors
Cooling unit (refrigerated)
Control panel
US Control panel
Spare parts list

Marchio / Brand: **ELECTROLUX PROFESSIONAL-APX-To brand**

Paese / Country: **all**

Rev.3

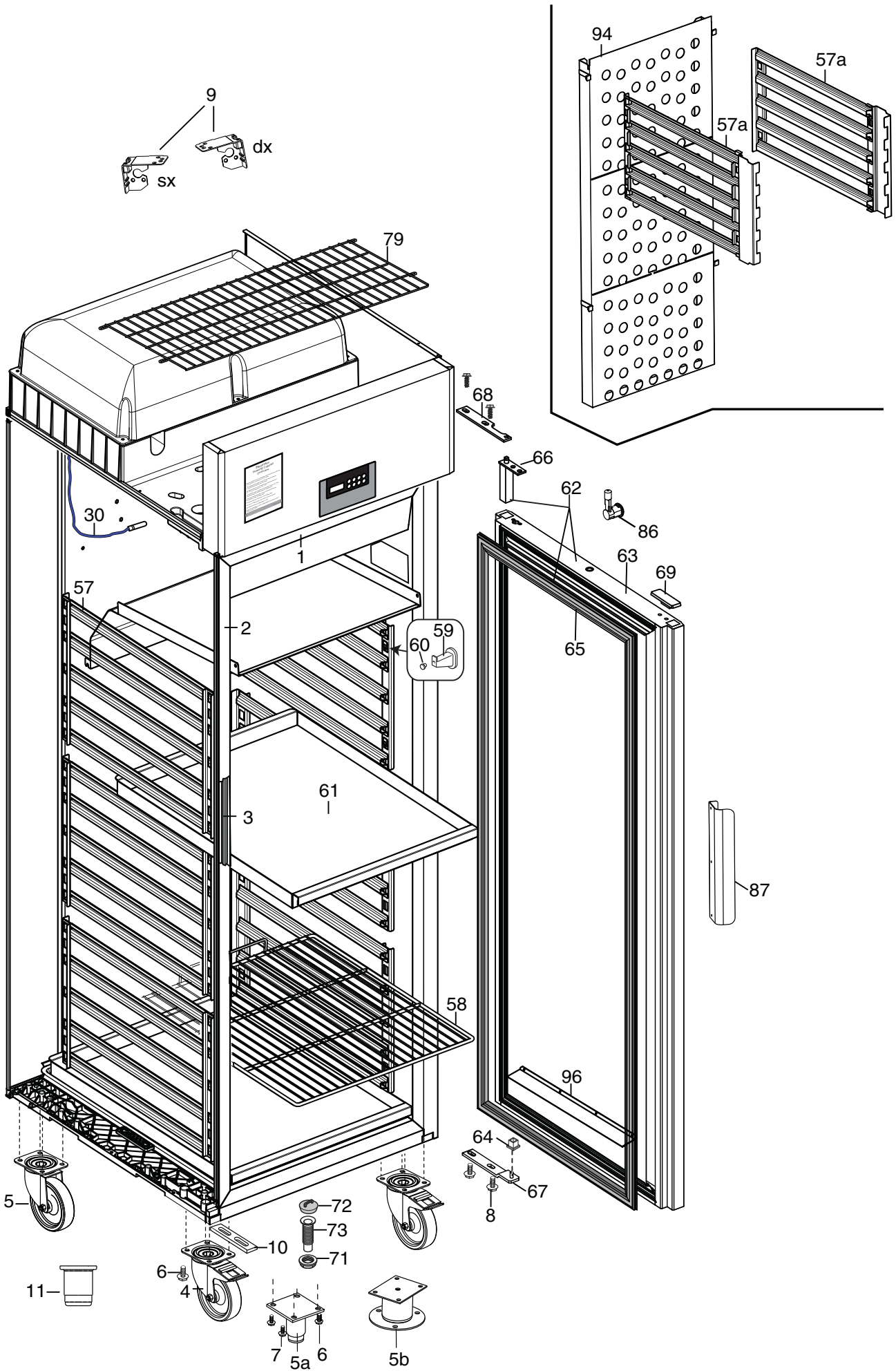
\* Componenti a richiesta \*Components on demand

Grassetto= variato compon. Bolt print = Change

Page:1

Ed. 06/2021  
Updated 12/2025

Doc. Nr.: **595R65700**



\* Componenti a richiesta  
\*Components on demand

Grassetto= variato comp.  
Bolt print = Change

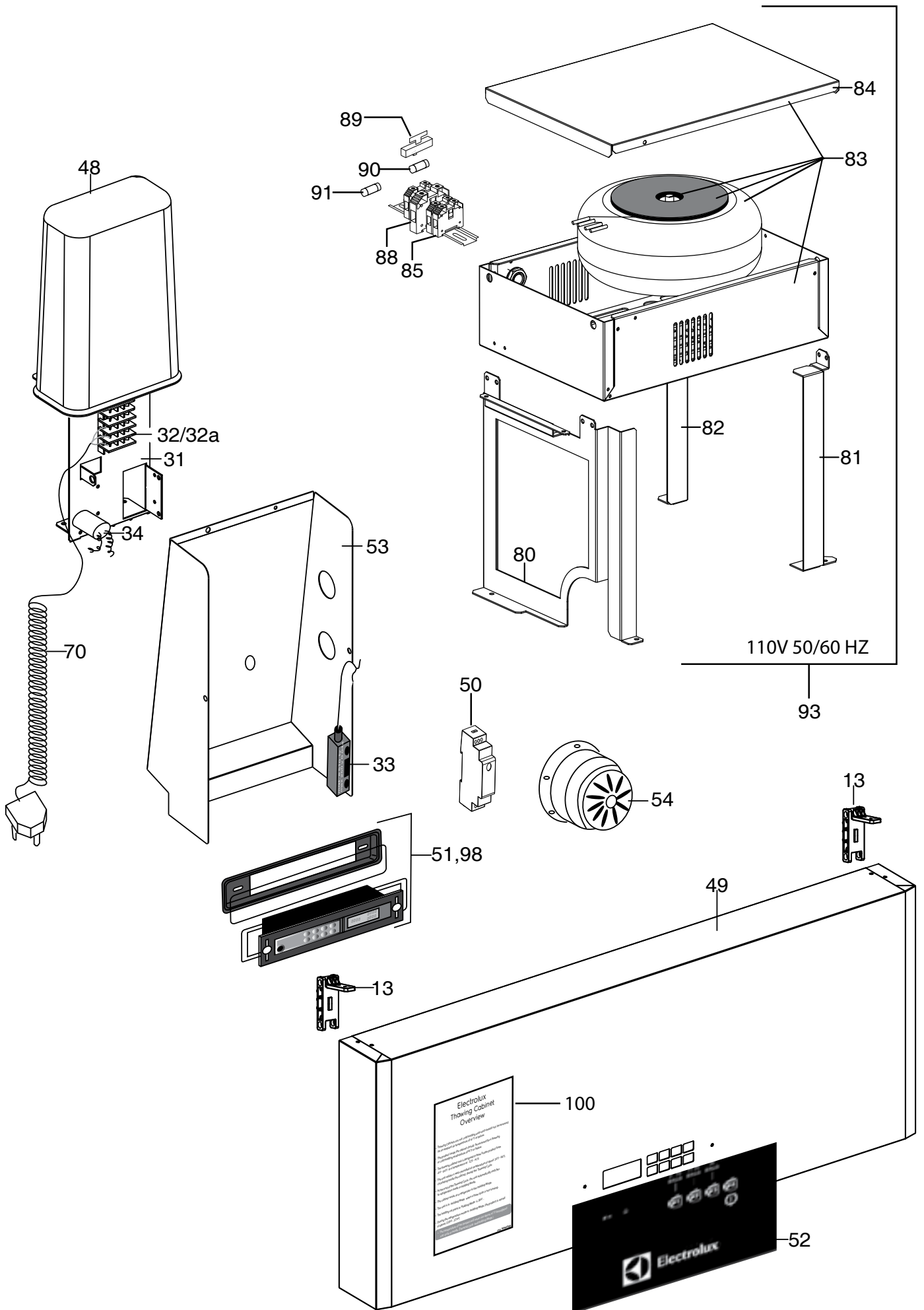
Page: 2

Ed. 01 06/2021

Updated 12/2025

Doc. Nr.: 595R65700





\* Componenti a richiesta  
\*Components on demand

Grassetto= variato comp.  
Bolt print = Change

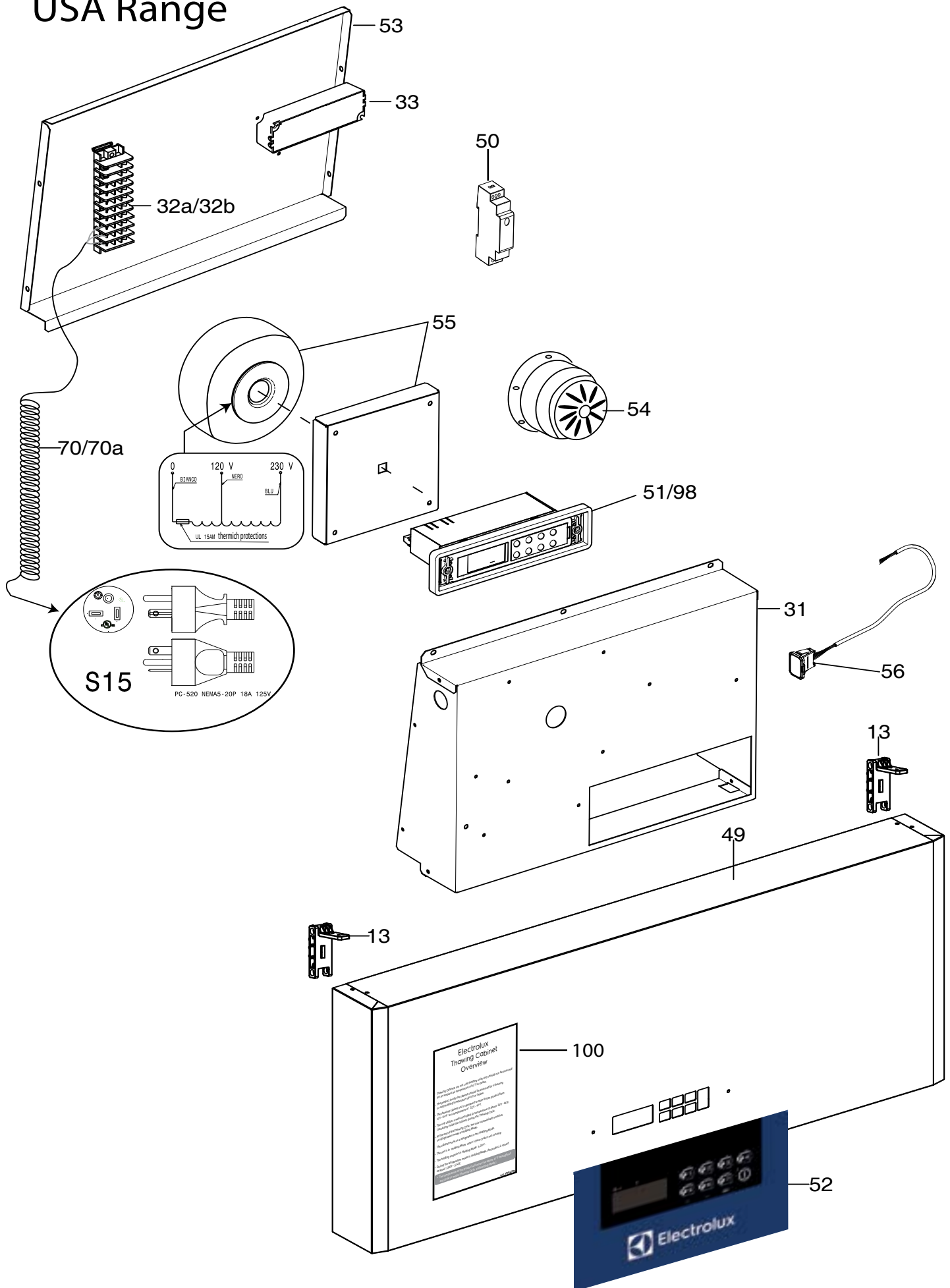
Page: 4

Ed. 01 06/2021

Updated 12/2025

Doc. Nr.: 595R65700

# USA Range



\* Componenti a richiesta  
\*Components on demand

Grassetto= variato comp.  
Bolt print = Change

Page: 5

Ed. 01 06/2021

Updated 12/2025

Doc. Nr.: 595R65700

Pos	Spare parts code	Factory code	Descrizione	Description	V	W & T	References
1	093254	832R09001	Cornice orizzontale	Horizontal frame	X		a,b,c,d,e,f,g,h,j,k,m,n, o,p,q,r,s,t
2	093255	832R09101	Cornice verticale	Vertical frame	X		a,b,c,d,e,f,g,h,j,k,m,n, o,p,q,r,s,t
3	093361	617R07101	Cavo riscaldante	Hot frame cable			a,b,c,d,e,f,g,h,j,n,o,p,s,t
3	097471	617R04F00	Cavo riscaldante	Hot frame cable			k,m,q,r
4	087110	835739900	Ruota DERBY con freno	Wheel DERBY with brake	X	X	a,b,c,d,e,f,g,h,j,k,m,n,q,r,t
<b>4</b>	<b>095051</b>	<b>518R07300</b>	<b>Ruota DERBY con freno</b>	<b>Wheel DERBY with brake</b>	<b>X</b>	<b>X</b>	<b>j</b>
5	087111	835740000	Ruota DERBY senza freno	Wheel without brake	X	X	a,b,c,d,e,f,g,h,j,k,m,n,q,r,t
<b>5</b>	<b>095050</b>	<b>518R07200</b>	<b>Ruota DERBY senza freno</b>	<b>Wheel without brake</b>	<b>X</b>	<b>X</b>	<b>j</b>
5a	093243	541R05001	Piedino	Foot	X	X	o,p
5b	0TTR11	518R04501	Piedino marine	Marine foot	X	X	o,p
*	093825	546R28900	Piastra stampata per ruote h70	Plate for wheels h70			a
6	093245	217555204	Vite per ruota	Wheel screw		X	a,b,c,d,e,f,g,h,j,k,m,n, o,p,q,r,t
7	093246	518708601	Vite m8 x 20 superiore	Upper screw 8 x20		X	a,b,c,d,e,f,g,h,j,k,m,n, o,p,q,r,t
8	094426	518708700	Vite m8 x 25 inferiore	Lower Screw 8 x25		X	a,b,c,d,e,f,g,h,j,k,m,n, o,p,q,r,s,t
9	095202	546R34400	Staffa per calotta (dx e sx)	Support for evaporator cover (dx and sx)			a,b,c,d,e,f,g,h,j,k,m,n, o,p,q,r,s,t
10	093248	546R27100	Distanziale estetico inferiore	Lower spacer		X	a,b,c,d,e,f,g,h,j,k,m,n, o,p,q,r,s,t
11	095220	518R08300	Piedino regolabile h84-125	Adjustable feet h84-125	X	X	
12	093609	832R10100	Cerniera superiore dx	Upper hinge "right"	X	X	a,b,c,d,e,f,g,h,j,k,m,n, o,p,q,r,s,t
13	093610	832R10200	Cerniera superiore sx	Upper hinge "left"	X	X	a,b,c,d,e,f,g,h,j,k,m,n, o,p,q,r,s,t
14	093426	684R05900	Compressore EMT6152U R290	Compressor EMT6152U R290	X		a,b,c,d,e,f,g,h,j,o,t
14	097468	684R02F00	Compressore NEK 6165U R290 115V 60HZ	Compressor NEK 6165U R290 115V 60HZ	X		k,m,q,r
14	097494	684R15800	Compressore EMBRACO EMX6152U 220-240 V 50-60 HZ	Compressor EMBRACO EMX6152U 220-240 V 50-60 HZ	X		j,n,p,s
15	093431	830R06601	Condensatore A FILI	Wiring condenser	X		a,b,c,d,e,f,g,h,j,n,o,p,s,t
15	093333	830R04900	Condensatore ALETTATO	Gas Condenser	X		k,m,q,r
16	093602	546R24200	Convogliatore condensatore	Condenser cover			a,b,c,d,e,f,g,h,j,o,t
16	093518	501R36701	Convogliatore condensatore	Condenser cover			j,n,p,s 60 HZ
17	096995	682R14200	Assieme ventilatore	Condenser fan	X	X	a,b,c,d,e,f,g,h,j,n,o,p,s,t
17	097469	682R14800	Assieme ventilatore USA R290	Condenser fan USA R290	X	X	k,m,q,r
17a	097055	635R37900	Cablaggio ventilatore	Fan wiring	X		k,m up to 2023/38
<b>17a</b>	<b>09A1TO</b>	<b>634R04C00</b>	<b>Cablaggio ventilatore</b>	<b>Fan wiring</b>	<b>X</b>		<b>k,m from 2023/39</b>
<b>17a</b>	<b>09A1TO</b>	<b>634R04C00</b>	<b>Cablaggio ventilatore</b>	<b>Fan wiring</b>	<b>X</b>		<b>q,r up to 2025/50</b>
<b>17a</b>		<b>634R05D00</b>	<b>Cablaggio ventilatore</b>	<b>Fan wiring</b>	<b>X</b>		<b>q,r from 2025/51</b>
18	089697	511708800	Ventola aspirante 230 31	Fan 230 31			a,b,c,d,e,f,g,h,j,o,t
18	093365	511R01000	Ventola aspirante 230 34	Fan 230 34			k,m,q,r
18	082230	511700800	Ventola aspirante 230 28	Fan 230 28			j,n,p,s
19	089755	546709500	Griglia ventilatore condensatore	Fan protection			a,b,c,d,e,f,g,h,j,o,t
19	094416	514R20200	Griglia ventilatore condensatore	Fan protection			k,m
19	0A8843	514711501	Griglia ventilatore condensatore	Fan protection			j,n,p,s
20	093259	515R12701	Serpentina gas caldo	Hot pipe for evaporation conden.	X		a,b,c,d,e,f,g,h,j,k,m,n, o,p,q,r,s,t
21	093260	543R09300	Staffa fissaggio serpentina	Stopper hot pipe			a,b,c,d,e,f,g,h,j,k,m,n, o,p,q,r,s,t

Pos	Spare parts code	Factory code	Descrizione	Description	V	W & T	References
22	096488	858R06900	Ass. scambiatore per compressore EMT6152U	Heat exchanger for compressor EMT6152U	X		a,b,c,d,e,f,g,h,j,n,o,p,s,t
22	097477	858R18700	Ass. scambiatore per compressore R290	Heat exchanger for compressor R290	X		k,m,q,r
23	099949	858R00100	Filtro gr 15	Filter gr 15	X	X	a,b,c,d,e,f,g,h,j,n,o,p,s,t
23	084078	805729802	Filtro gr 40	Filter gr 40	X	X	k,m,q,r
23a	099869	646765300	Safety blow fuse HP pressure	Tappo fusibile. FPA-283 UL 1/8'	X		k,m,q,r
24	0A8171	A02021800	Valvola per compressore	Compressor valve "charge/disc./	X	X	a,b,c,d,e,f,g,h,j,k,m,n,o,p,q,r,s,t
25	094576	830R10600	Evaporatore	Evaporator	X		a,b,c,d,e,f,g,h,j,n,o,p,s,t
25	094408	830R10000	Evaporatore	Evaporator	X		k,m,q,r
26	093469	546R19201	Vaschetta evaporatore	Evaporator basin		X	a,b,c,d,e,f,g,h,j,k,m,n,o,p,q,r,s,t
27	093427	617R06002	Resistenza evaporatore con term.	Evaporator heating el.+thermost.		X	a,b,c,d,e,f,g,h,n,o,p,s up to 2025/17
28	093487	514R11601	Molla per termostati	Thermostat spring		X	a,b,c,d,e,f,g,h,n,o,p,s,t up to 2025/17
29	093508	514R11100	Molla per fissaggio resist. evaporator	Evap. spring for heating element		X	a,b,c,d,e,f,g,h,n,o,p,s,t up to 2025/17
30	092175	646R06700	Sonda cella	Cell probe	X	X	a,b,c,d,e,f,g,h,j,k,m,n,o,p,q,r,s,t
31	0TTMOI	503R14600	Supporto impianto elettrico	Electrical support			a,b,c,d,e,f,g,h,j,n,o,p,s,t
31	097479	504R35603	Supporto impianto elettrico	Electrical support			k,m,q,r
32	093599	639R10000	Morsettiera	Clamp		X	a,b,c,d,e,f,g,h,j,n,o,p,s,t
32a	095786	856R21501	Cablaggio scatola elettrica	Electric box wiring			a,b,c,d,e,f,g,h,j,n,o,p,s,t Up to 2025/37
32a	09A270	856R21502	Cablaggio scatola elettrica	Electric box wiring			a,b,c,d,e,f,g,h,j,n,o,p,s,t From 2025/38
32b	097591	855R08R01	Cablaggio scatola elettrica e morsettiera	Electric box wiring and clamp			k,m
32b	097591	855R08R01	Cablaggio scatola elettrica e morsettiera	Electric box wiring and clamp			q,r Up to 2025/50
32b	09A3BC	855R08R02	Cablaggio scatola elettrica e morsettiera	Electric box wiring and clamp			q,r From 2025/51
33	097073	640R00400	Micro magnetico per porta	Door micro switch	X	X	a,b,c,d,e,f,g,h,j,k,m,n,o,p,q,r,s,t
34	059078	694502400	Filtro antidisturbo	RFI filter			a,b,c,d,e,f,g,h,j,n,o,p,s,t
35	095201	835R47601	Assieme calotta schiumata	Evaporator foamed cover assy	X	X	a,b,c,d,e,f,g,h,j,k,m,n,o,p,q,r,s,t
36	093245	217555204	Vite senza punta per calotta	Screw for evaporator cover		X	a,b,c,d,e,f,g,h,j,k,m,n,o,p,q,r,s,t
37	093262	1470R003	Neoprene espanso per calotta	Gasket for evaporator cover		X	a,b,c,d,e,f,g,h,j,k,m,n,o,p,q,r,s,t
38	093263	546R19702	Tamponcino cavi evaporatore	Seal wiring cable evaporator		X	a,b,c,d,e,f,g,h,j,k,m,n,o,p,q,r,s,t
39	097077	504R25500	Supporto ventilatore evaporatore	Evaporator fan support			a,b,c,d,e,f,g,h,j,n,o,p,s,t
39	097077	504R25500	Supporto ventilatore evaporatore	Evaporator fan support			k,m
39	097077	504R25500	Supporto ventilatore evaporatore	Evaporator fan support			q,r up to 2025/50
39a	09A3BA	800R00Q00	Supporto ventilatore evaporatore	Evaporator fan support			q,r from 2025/51
40	094412	501R94200	Fissaggio sup. ventilatore evap.	Upper fixing support for fan evap.			a,b,c,d,e,f,g,h,j,n,o,p,s,t
40	094412	501R94200	Fissaggio sup. ventilatore evap.	Upper fixing support for fan evap.			k,m

Pos	Spare parts code	Factory code	Descrizione	Description	V	W & T	References
40	094412	501R94200	Fissaggio sup. ventilatore evap.	Upper fixing support for fan evap.			q,r up to 2025/50
40a	09A3BB	800R00R00	Fissaggio sup. ventilatore evap.	Upper fixing support for fan evap.			q,r from 2025/51
41	097470	855R08T00	Ventilatore centrifugo	Centrifugal fan	X	X	a,b,c,d,e,f,g,h,j,n,o,p,s,t
41	097470	855R08T00	Ventilatore centrifugo	Centrifugal fan	X	X	k,m
41	097470	855R08T00	Ventilatore centrifugo	Centrifugal fan	X	X	q,r up to 2025/50
41a	09A3A9	682R03C00	Ventilatore centrifugo	Centrifugal fan	X	X	q,r from 2025/51
42	097071	617R28300	Resistenza 750W 230V	Heating element 750W 230V	X	X	a,b,c,d,e,f,g,h,j,n,o,p,s,t
42	097472	617R28501	Resistenza 650W 120V	Heating element 650W 120V	X	X	k,m,q,r
43	094413	501R94300	Convogliatore aria	Air conveyor			a,b,c,d,e,f,g,h,j,k,m,n,o,p,q,r,s,t
44	094822	501R94100	Copertura frontale aria	Air front cover			a,b,c,d,e,f,g,h,j,k,m,n,o,p,q,r,s,t
45	094011	514R15801	Griglia di protezione posteriore	Back protection grid			a,b,c,d,e,f,g,h,j,k,m,n,o,p,q,r,s,t
46a	097078	504R25600	Fissaggio sinistro resistenze	Left heating element supprt			a,b,c,d,e,f,g,h,j,n,o,p,s,t
46a	097480	504R37200	Fissaggio sinistro resistenze	Left heating element supprt			k,m,q,r
46b	097079	504R25700	Fissaggio destro resistenze	Right heating element supprt			a,b,c,d,e,f,g,h,j,k,m,n,o,p,q,r,s,t
47	097072	805R00S00	Ass.Termostato ELTH +40 +30	Safety thermostat +40 +30	X		a,b,c,d,e,f,g,h,j,n,o,p,s,t
47	097475	805R01C00	Ass.Termostato ELTH +40 +30	Safety thermostat +40 +30	X		k,m
47	097475	805R01C00	<b>Ass.Termostato ELTH +40 +30</b>	<b>Safety thermostat +40 +30</b>	X		q,r up to 2025/50
47		805R02W00	<b>Ass.Termostato ELTH +40 +30</b>	<b>Safety thermostat +40 +30</b>	X		q,r from 2025/51
48	094425	546R26501	Coperchio impianto elettrico	Electrical cover		X	a,b,c,d,e,f,g,h,j,n,o,p,s,t
48	093976	546R26701	Scatola impianto elettrico	Electrical box		X	a,b,c,d,e,f,g,h,j,n,o,p,s,t
49	094012	833R26101	Cruscotto senza componenti	Control panel without components			a,b,c,d,e,f,g,h,j,n,s,t
49	097478	833R51603	<b>Cruscotto senza componenti con serratura R290</b>	<b>Control panel without components with lock R290</b>			k,m,q,r
49	096562	833R44900	Cruscotto senza componenti con serratura R290	Control panel without components with lock R290			o,p
*	*	877R98702	Cruscotto con componenti	Control panel with components			a,c,d,e,g,h,j,n,t
*	*	878R05100	Cruscotto con componenti	Control panel with components			b
*	*	878R05200	Cruscotto con componenti	Control panel with components			f
*	*	878R08903	<b>Cruscotto con componenti con serratura</b>	<b>Control panel with compon. with lock</b>			k,m
*	*	878R08903	<b>Cruscotto con componenti con serratura</b>	<b>Control panel with compon. with lock</b>			q,r up to 2025/50
*	*	878R08904	<b>Cruscotto con componenti con serratura</b>	<b>Control panel with compon. with lock</b>			q,r from 2025/51
*	*	878R01300	Cruscotto con componenti con serratura	Control panel with compon. with lock			o,p
*	*	875R06R00	<b>Cruscotto con componenti Japan</b>	<b>Control panel with components Japan</b>			s
50	097166	648R02F00	Alimentatore 24V 15.2W	Power supply 24V 15.2W			
50	097476	624R00D00	Alimentatore 24V 20.2W UL	Power supply 24V 20.2W UL			k,m,q,r
51	094013	646R12400	Termoregolatore 230V	Controller 230V	X		a,b,c,d,e,f,g,h,j,n,o,p,s,t
51	097473	646R06U00	Termoregolatore 120V	Controller 120V	X		k,m,q,r
52	094245	755R08802	Membrana adesiva di controllo	Sticker control		X	a,c,d,e,g,h,j,n,o,p,s,t
52	094014	755R07802	Membrana adesiva di controllo	Sticker control		X	b
52	094251	755R08102	Membrana adesiva di controllo	Sticker control		X	f
52	095305	755R10201	Membrana adesiva di controllo 7 progr.	Sticker control 7 programmes		X	k,m,q,r

Pos	Spare parts code	Factory code	Descrizione	Description	V	W & T	References
53	094485	501R94502	Protezione controllore	Controller protection			a,b,c,d,e,f,g,h,j,n,o,p,t
53	097474	504R35401	Protezione controllore	Controller protection			k,m,q,r
53		503R04200	Protezione controllore	Controller protection			k,m,q,r,s
54	097080	655R00A00	Avvisatore acustico	Buzzer			a,b,c,d,e,f,g,h,j,k,m,n,o,p,q,r,t
55	097516	624R00H01	Trasformatore 120/230V 400VA 50/60HZ	Transformer PMA 120/230V 400VA 50/60HZ	X	X	k,m
55	097516	624R00H01	Trasformatore 120/230V 400VA 50/60HZ	Transformer PMA 120/230V 400VA 50/60HZ	X	X	q,r up to 2025/50
<b>56</b>	<b>097751</b>	<b>638R00300</b>	<b>Cavetto hot key</b>	<b>Hot key cable</b>		<b>x</b>	<b>q,r</b>
57	094247	833R25903	Cremagliera dx e sx 10 posizioni	Right and left rack sup. 10 posit.	X	X	a,c,e,g,h,j,n,s,t
57	094207	833R25803	Cremagliera dx e sx 15 posizioni	Right and left rack sup. 15 posit.	X	X	b,d,f,j
57a	094541	833R29903	Cremagliera dx e sx 15 posizioni usa	Right and left rack sup. 15 posit. usa	X	X	k,q
57a	094476	833R30302	Cremagliera dx e sx 10 posizioni usa	Right and left rack sup. 10 posit. usa	X	X	m,o,p,r
58	081883	514702003	Griglia 650X530	Shelve		X	a,b,c,d,e,f,g,h,j,k,m,n,o,p,q,r,s,t
59	090214	546710300	Supporto cremagliera H12	Rack support		X	a,b,c,d,e,f,g,h,j,k,m,n,o,p,q,r,s,t
60	083839	546704200	Tappo per supporto cremagliera	Plig rack support		X	a,b,c,d,e,f,g,h,j,k,m,n,o,p,q,r,s,t
61	095425	502R91600	Vassoio divisorio	Tray		X	b,c,e,f,g,j,n,t
61	095304	503R19400	Vassoio divisorio THAWING ZAXBY'S s/a foro	Tray THAWING ZAXBY'S whitout hole		X	a,h,k,m,o,p,q,r
<b>61</b>	<b>095073</b>	<b>503R04602</b>	<b>Vassoio divisorio</b>	<b>Tray</b>		<b>X</b>	<b>s</b>
61	095425	502R91600	Vassoio divisorio	Tray		X	d up to 2025/41
<b>61</b>	<b>095304</b>	<b>503R19400</b>	<b>Vassoio divisorio THAWING ZAXBY'S s/a foro</b>	<b>Tray THAWING ZAXBY'S whitout hole</b>		<b>X</b>	<b>d from 2025/42</b>
62	094419	835R36304	Porta assemblata	Door assembly			b,c,d,e,f,g,h,j,n,s,t
62	095748	882R51900	Porta assemblata ribassata usa	Lowered door assembly usa			a
62	097482	883R67700	Porta assemblata con serratura e deflettore	Door assembly with lock and deflector			k,m,q,r
62	097496	835R76302	Porta assemblata ribassata con serratura	Lowered door assembly with lock			o,p
63	094421	835R36003	Porta	Door			b,c,d,e,f,g,h,j,n,s,t
63	097081	835R69302	Porta	Door			a
63	097495	835R76202	Porta	Door			o,p
63	097481	835R80300	Porta	Door			k,m,q,r
64	081654	544700601	Boccola per porta	Busch for door		X	a,b,c,d,e,f,g,h,j,k,m,n,o,p,q,r,s,t
65	094152	548R08000	Guarnizione porta	Door gasket		X	a,b,c,d,e,f,g,h,j,n,o,p,s,t
65	094422	548R10300	Guarnizione porta USA	Door gasket usa		X	k,m,q,r
66	082219	835704001	Cerniera (inserto corto)	Hinge door	X	X	a,b,c,d,e,f,g,h,j,k,m,n,o,p,q,r,s,t
67	093341	833R21600	Staffa inferiore	Lower bracket door		X	a,b,c,d,e,f,g,h,j,k,m,n,o,p,q,r,s,t
68	082257	505723802	Staffa superiore	Upper bracket door		X	a,b,c,d,e,f,g,h,j,k,m,n,o,p,q,r,s,t
69	093271	541R05300	Tappo fori porta	Plug door		X	a,b,c,d,e,f,g,h,j,k,m,n,o,p,q,r,s,t
70	094423	A02060702	Cavo alimentazione spina SCHUKO	Power cable with SCHUKO plug	X	X	d,f,g,j,o
70	094823	634R02900	Cavo alimentazione spina UK	Power cable with UK plug	X	X	b,h - with 13A fuse

Pos	Spare parts code	Factory code	Descrizione	Description	V	W & T	References
70	097082	634702901	Cavo alimentazione spina GE-WISS	Power cable with GEWISS plug	X	X	a,c,e up to 2025/08
70		<b>634R05300</b>	<b>Cavo alimentazione spina GEWISS</b>	<b>Power cable with GEWISS plug</b>	<b>X</b>	<b>X</b>	<b>a,c,e from 2025/09</b>
70	097503	634R00900	Cavo alimentazione senza spina	Power cable without plug	X	X	j,n,p,t
70	<b>0TTV63</b>	<b>634704100</b>	<b>Cavo alimentazione</b>	<b>Power cable</b>	<b>X</b>	<b>X</b>	<b>s</b>
70a	097524	634R03N01	Cavo alimentazione spina S15 18Amp 125V	Power cable with plug S15 18Amp 125V	X	X	k,m,q,r
71	081797	544701400	Controdado	Nut		X	a,c,d,e,g,h,j,k,m,n,o,p,q,r,s,t
72	085535	545733700	Tappo	Plug		X	a,c,d,e,g,h,j,k,m,n,o,p,q,r,s,t
73	093714	546R26000	Piletta	Pipe		X	a,c,d,e,g,h,j,k,m,n,o,p,q,r,s,t
77	095021	502R91700	Filtro aspirazione thawing	Protection			a,b,c,d,e,f,g,h,j,k,m,n,o,p,q,r,s,t
79	094542	514R20001	Griglia protezione gruppo	Cooling Protection		X	k,m,q,r
80		<b>502R78101</b>	<b>Supporto sx box trasformatore</b>	<b>Left support voltage adapter box</b>			<b>s</b>
81		<b>502R78401</b>	<b>Supporto ant. dx box trasformatore</b>	<b>Front right support voltage adapter box</b>			<b>s</b>
82		<b>502R78502</b>	<b>Supporto post. dx box trasformatore</b>	<b>Back right support voltage adapter box</b>			<b>s</b>
83	<b>095602</b>	<b>835R52301</b>	<b>Assieme box trasformatore (Box trasformatore + Coperchio + Barra filettata M10 L=260 + Tappo di fissaggio + Trasformatore 100/230V 2500VA)</b>	<b>Voltage adapter box assembly (Voltage adapter box + Cover + Threaded rod + Stopper + Voltage adapter 100/230V 2500VA)</b>			<b>s</b>
84		<b>502R78301</b>	<b>Coperchio trasformatore</b>	<b>Cover voltage adapter box</b>			<b>s</b>
85		<b>639R05A00</b>	<b>Morsetti</b>	<b>Terminal, clamps</b>			<b>s</b>
86	093433	833R21100	Serratura	Lock		X	k,m,o,p,q,r
87	097515	504R35100	Maniglia	Handle			k,m,q,r (accessory)
88		<b>639R05H00</b>	<b>Morsetto giallo verde</b>	<b>Ground terminal</b>			<b>s</b>
89	<b>083506</b>	<b>639714300</b>	<b>Porta fusibile</b>	<b>Fuse support</b>			<b>s</b>
90	<b>094719</b>	<b>652R00900</b>	<b>Fusibile CH10 AM 25A (10,3X38)</b>	<b>Fuse CH10 AM 25A (10,3X38)</b>			<b>s</b>
91	<b>094835</b>	<b>652R01000</b>	<b>Fusibile CH10 AM 10A (10,3X38) 500V</b>	<b>Fuse CH10 AM 10A (10,3X38) 500V</b>			<b>s</b>
93		<b>857R27406</b>	<b>Assieme scatola trasformatore</b>	<b>Voltage adapter box</b>			<b>s</b>
94	094959	833R35801	Convogliatore 15 teglie per schienale	Back air 15 positions conveyor		X	d,k,q
94	094585	833R31200	Convogliatore 15 teglie per schienale	Back air 15 positions conveyor		X	b
94	095306	833R35501	Convogliatore 10 teglie per schienale	Back air 10 positions conveyor		X	a,h,m,o,p,r
96	096664	503R50501	Deflettore porta	Door deflector		X	k,m,q,r
98	094016	639R03300	Connett. Phoenix 6 vie P 5.0	Connector 6 ways		X	j,k,m,q,r,s
100	096667	595R42100	Adesivo informativo	Sticker Thawing overview		X	k,m,q,r